



Image may differ from product. See technical specification for details.

YAR 208-2F

Insert bearing with set screw locking and extended inner ring

Insert bearings are based on sealed deep groove ball bearings. This variant is suitable for applications with both constant and alternating directions of rotation. It has an inner ring extended on both sides and is locked onto the shaft by tightening two (set) screws on the inner ring, making it easy to mount.

- Designed for a constant and alternating rotation
- Quick and easy to mount onto the shaft
- Reduce noise and vibration levels

Overview

Dimensions

| | |
|-------------------|---------|
| Bore diameter | 40 mm |
| Outside diameter | 80 mm |
| Width, total | 49.2 mm |
| Width, inner ring | 49.2 mm |
| Width, outer ring | 21 mm |

Performance

| | |
|---------------------------|--|
| Basic dynamic load rating | 30.7 kN |
| Basic static load rating | 19 kN |
| Limiting speed | 4 800 r/min |
| Note | Limiting speed with shaft tolerance h6 |

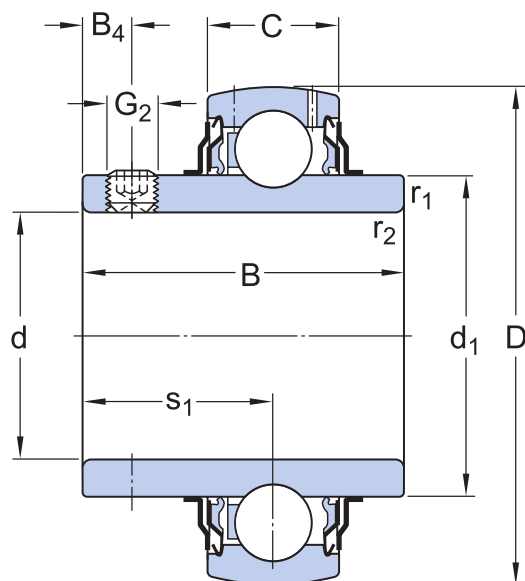
Properties

| | |
|-------------------------------|--------------------------------|
| Retaining feature, inner ring | Set screws |
| Bore type | Cylindrical |
| Rolling elements | Balls |
| Outer ring type | Spherical |
| Inner ring extension | On both sides |
| Cage | Non-metallic |
| Rubber seating ring | Without |
| Material, bearing | Bearing steel |
| Coating | Without |
| Sealing | Seal and flinger on both sides |
| Sealing type | Contact, standard |
| Lubricant | Grease |
| Relubrication feature | With |

Logistics

| | |
|--------------------|-------------|
| Product net weight | 0.592 kg |
| eClass code | 23-05-08-02 |
| UNSPSC code | 31171536 |

Technical specification



Dimensions

| | | |
|-----------|-------------------|--|
| d | 40 mm | Bore diameter |
| D | 80 mm | Outside diameter |
| B | 49.2 mm | Width of inner ring |
| C | 21 mm | Width of outer ring |
| d_1 | ≈ 51.8 mm | Outside diameter of inner ring |
| B_4 | 8 mm | Distance face to thread centre |
| $r_{1,2}$ | min. 1 mm | Chamfer dimension of inner ring |
| s_1 | 30.2 mm | Distance from locking device side face to raceway centre |

Calculation data

| | | |
|---------------------------|-------|---|
| Basic dynamic load rating | C | 30.7 kN |
| Basic static load rating | C_0 | 19 kN |
| Fatigue load limit | P_u | 0.8 kN |
| Limiting speed | | 4 800 r/min |
| | | Limiting speed with shaft tolerance h_6 |
| Calculation factor | f_0 | 14 |

Mounting information

| | | |
|---|----------------|---------|
| Set screw | G ₂ | M8x1 |
| Hexagonal key size for set screw | N | 4 mm |
| Recommended tightening torque for set screw | | 6.5 N·m |

Associated products

Rubber seating ring

[RIS 208 A](#)

Tolerances and clearances

GENERAL BEARING SPECIFICATIONS

- **Tolerances:** table 1, table 2
- **Radial internal clearance:** Standard inner ring, Other bearings

BEARING INTERFACES

- [Shaft tolerances](#)




Compatible products

Recommended product

Rubber seating ring for insert bearing

[RIS 208 A](#)

More Information

|  Product details |  Engineering information |  Tools |
|--|---|--|
| Designs and variants <hr/> Lubrication <hr/> General bearing specifications <hr/> Loads <hr/> Temperature limits <hr/> Permissible speed <hr/> Design considerations <hr/> Mounting and dismounting <hr/> Designation system <hr/> | Principles of rolling bearing selection <hr/> General bearing knowledge <hr/> Bearing selection process <hr/> Bearing failure and how to prevent it <hr/> | SKF Product select <hr/> Bearing Frequency Calculator <hr/> SimPro Quick <hr/> Heater selection tool <hr/> |



Terms of use

By accessing and using this website / app owned and published by AB SKF (publ.) (556007-3495 · Gothenburg) ("SKF"), you agree to the following terms and conditions:

Warranty Disclaimer and Limitation of Liability

Although every care has been taken to assure the accuracy of the information on this website / app, SKF provides this information "AS IS" and DISCLAIMS ALL WARRANTIES, EXPRESS OR IMPLIED, INCLUDING, BUT NOT LIMITED TO, IMPLIED WARRANTIES OF MERCHANTABILITY AND FITNESS FOR A PARTICULAR PURPOSE. You acknowledge that your use of this website / app is at your sole risk, that you assume full responsibility for all costs associated with use of this website / app, and that SKF shall not be liable for any direct, incidental, consequential, or indirect damages of any kind arising out of your access to, or use of the information or software made available on this website / app.

Any warranties and representations in this website / app for SKF products or services that you purchase or use will be subject to the agreed upon terms and conditions in the contract for such product or service.

Further, for non-SKF websites / apps that are referenced in our website / app or where a hyperlink appears, SKF makes no warranties concerning the accuracy or reliability of the information in these websites / apps and assumes no responsibility for material created or published by third parties contained therein. In addition, SKF does not warrant that this website / app or these other linked websites / apps are free from viruses or other harmful elements.

Third Party Services

When viewing YouTube content via the SKF website(s) (i.e. using [YouTube API Services](#)), you agree to be bound by the [YouTube Terms of Service](#).

Copyright

Copyright in this website / app copyright of the information and software made available on this website / app rest with SKF or its licensors. All rights are reserved. All licensed material will reference the licensor that has granted SKF the right to use the material. The information and software made available on this website / app may not be reproduced, duplicated, copied, transferred, distributed, stored, modified, downloaded or otherwise exploited for any commercial use without the prior written approval of SKF. However, it may be reproduced, stored and downloaded for use by individuals without prior written approval of SKF. Under no circumstances may this information or software be supplied to third parties.

This website /app includes certain images used under license from Shutterstock, Inc.

Trademarks and Patents

All trademarks, brand names, and corporate logos displayed on the website / app are the property of SKF or its licensors, and may not be used in any way without prior written approval by SKF. All licensed trademarks published on this website / app reference the licensor that has granted SKF the right to use the trademark. Access to this website / app does not grant to the user any license under any patents owned by or licensed to SKF.

Changes

SKF reserves the right to make changes or additions to this website / app at any time.